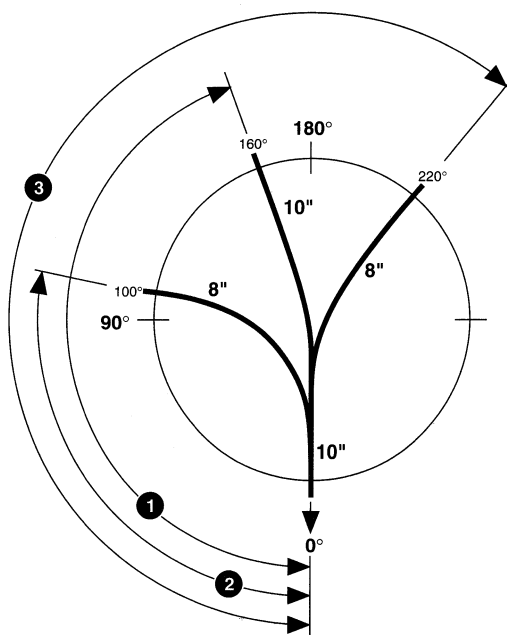


GU Manhole Base Liner

Procedures for ordering



Classification for pricing



GU Florida Inc.

6503 19th Street East, Bldg.A,
Sarasota, FL 34243-5405

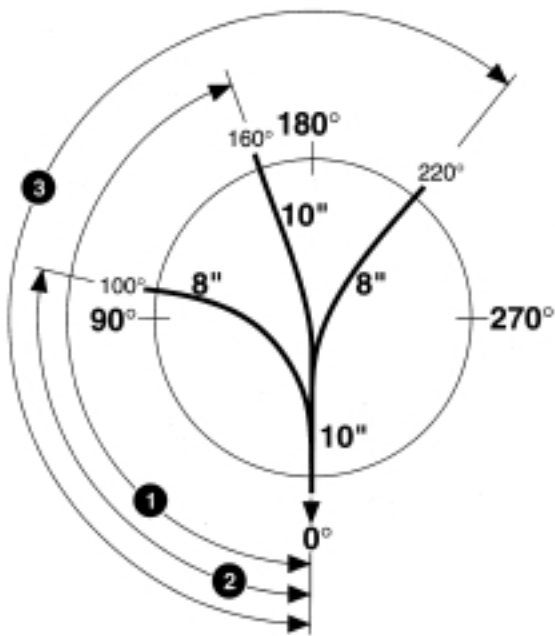
Tel: 941-739-2838 • Fax: 941-739-2877

e-mail: gu-florida@gu-international.com

www.gu-international.com

GU Manh

Procedures for ordering



ORDER SEQUENCE: ① Main channel

② 1st Lateral

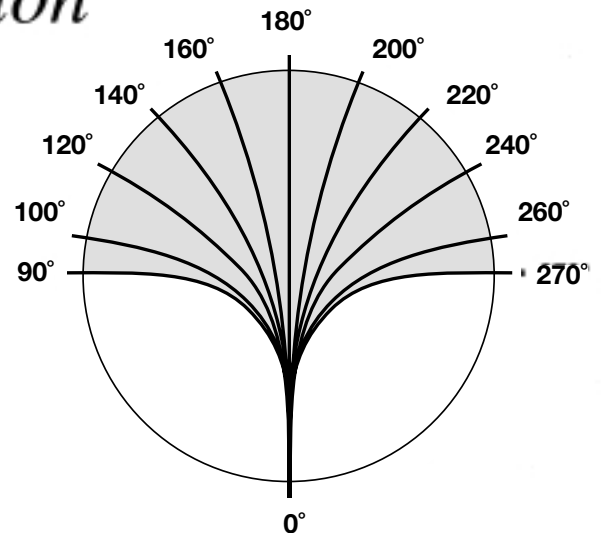
③ 2nd Lateral

Classification for pricing

Standard configuration

Main Channel

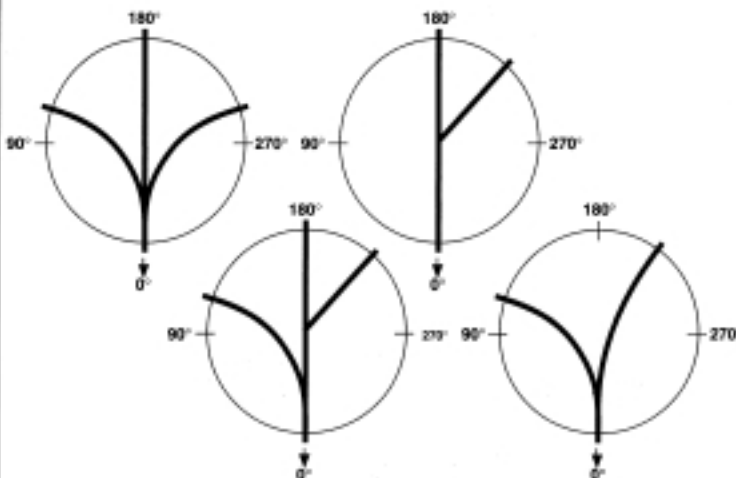
- 1) 90°, 100°, 120°, 140°, 160°, 180°, 200°, 220°, 240°, 260°, 270°
other angle configurations achieved with a deflection of 5° max. on inlet & outlet bells.
- 2) NOM. Dia 6" to 12" (DN150-300)
Slope of channel – 1.2" (2.5% in 48" Manhole)
- 3) NOM. Dia 15" (DN375) and larger:
Slope of channel – No Fall



Lateral Channels

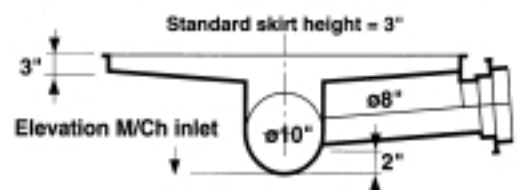
Applies to main channel NOM. Dia 6" – 12" (DN150-300)

Crown of the lateral(s) matched in relation to the crown of the outlet plus standard invert difference. The following drawings show some of the possible configurations.



Standard combination main channel/lateral

MAIN CHANNEL		LATERAL	
IN	MM	IN	MM
6	150	6	150
8	200	8	150
		8	200
10	250	10	250
		10	250
12	300	12	300
		12	300



Invert difference for crown to crown match between main channel inlet and lateral inlet.

ole Base Liner

NOMENCLATURE OF THE GU BASE LINER

Example configuration:

10" @ 0° x 10" @ 160° / 8" @ 100° / 8" @ 220°

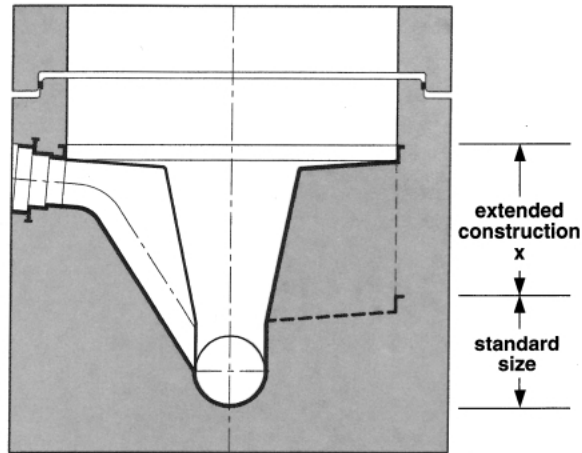
Classification for pricing

Non-Standard configuration

for Main Channel

NOM. Dia 6" to 12" (DN150-300)

- Slope of channel other than 1,2", plus all laterals are considered non standard.
- Inlet between 0° to 89° and 0° to 271° plus all laterals are considered non standard.
- Lateral(s) between 0° to 89° and between 0° and 271°.
- Crown of lateral(s) not matched in relation to the crown of the outlet plus standard invert difference.
- Size of laterals not conforming to the table for standard main channel/lateral combination.
- Base liner bench higher than the standard construction (see Drawing A)
- Lateral connection to the inside radius of a curved main channel.
- Extended skirt (see Drawing B)

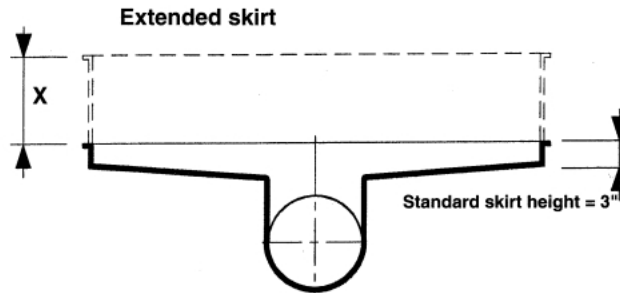


Drawing A

for Main Channel

NOM. Dia 15" (DN375) and larger

- Invert difference other than zero.
- Inlet between 0° to 89° and 0° to 271°.
- Any lateral channels.
- Base liner bench higher than the standard construction (see Drawing A).
- Extended skirt (see Drawing B).



Drawing B

Note:

Difference between standard bench height and extended bench height construction height is determined in the same manner as extended skirt (X)

Example price calculation:

(Refer to Drawings A and B)

1) Main channel: standard or non standard	\$
2) Lateral: standard or non standard	\$
3) Extended skirt (X)	\$
Total	\$